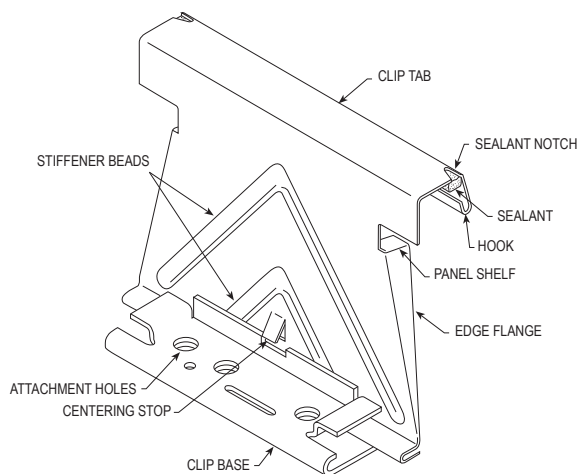


THE MPS™ CLIP



- **Provides lateral stability to purlins** by restricting purlin roll while allowing complete panel expansion and contraction movement
- **Allows a full 3 1/2" of roof movement** (1 3/4" expansion and 1 3/4" contraction)
- **Positive acting centering tab** assures the clip tab is centered until the fastener is installed
- **Clip hook engages** the end of the male lip to prevent the tab from sliding out of the seam under severe uplift
- **Factory-applied sealant** is placed under the tab so it will merge with the factory sealant in the panel seam upon installation to assure a superior sidelap seal at each clip location
- **All clips are fashioned from G-90 galvanized steel** to assure a long, corrosion-free life
- **Patented base** provides bearing edges that compress blanket insulation in small areas (to minimize clip roll when attached to purlin over blanket insulation)

The MPS (Movable Purlin Stabilizing) Clip is a patented clip designed to provide a high degree of flexibility while maintaining excellent lateral purlin support.

Steel roof panels expand and contract with changes in temperature. The design of the patented MPS clip accommodates these thermal movements by sliding back and forth with the panel (1 3/4" expansion and 1 3/4" contraction). The result is a roof connection that maintains the highest degree of system performance while allowing for movement of the roof panels.

This patented clip has been tested using the latest AISI Base Test and will provide the "Z" - purlin with 74% of a fully stabilized shape under live load and 78% of the fully stabilized shape under uplift load. This means the TS-324 roof systems using the MPS clip will not require purlin bridging on interior bays of most buildings.

MPS™